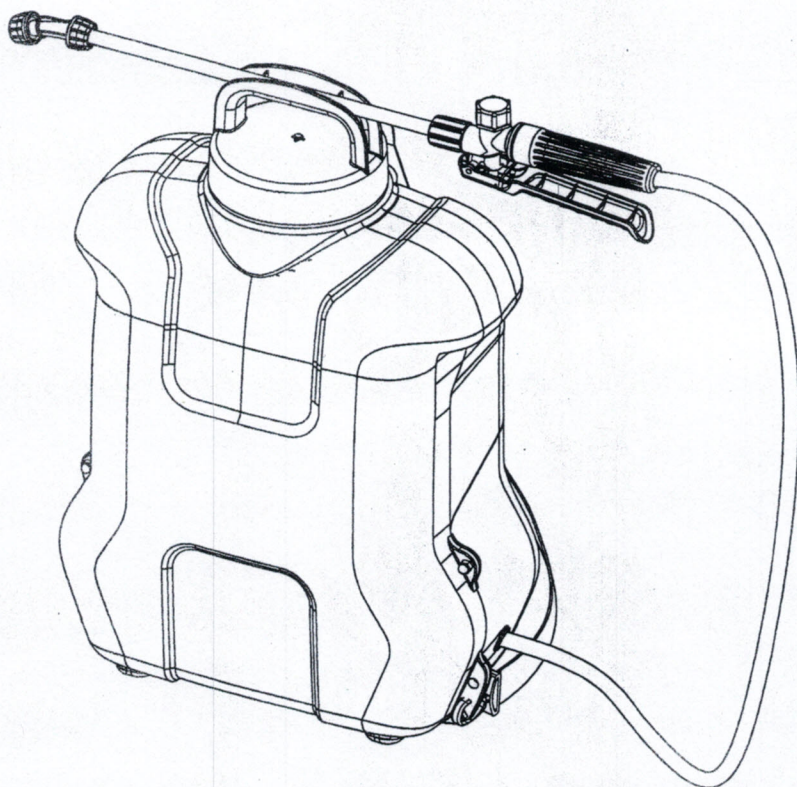


Instruction Manual For Battery Sprayer

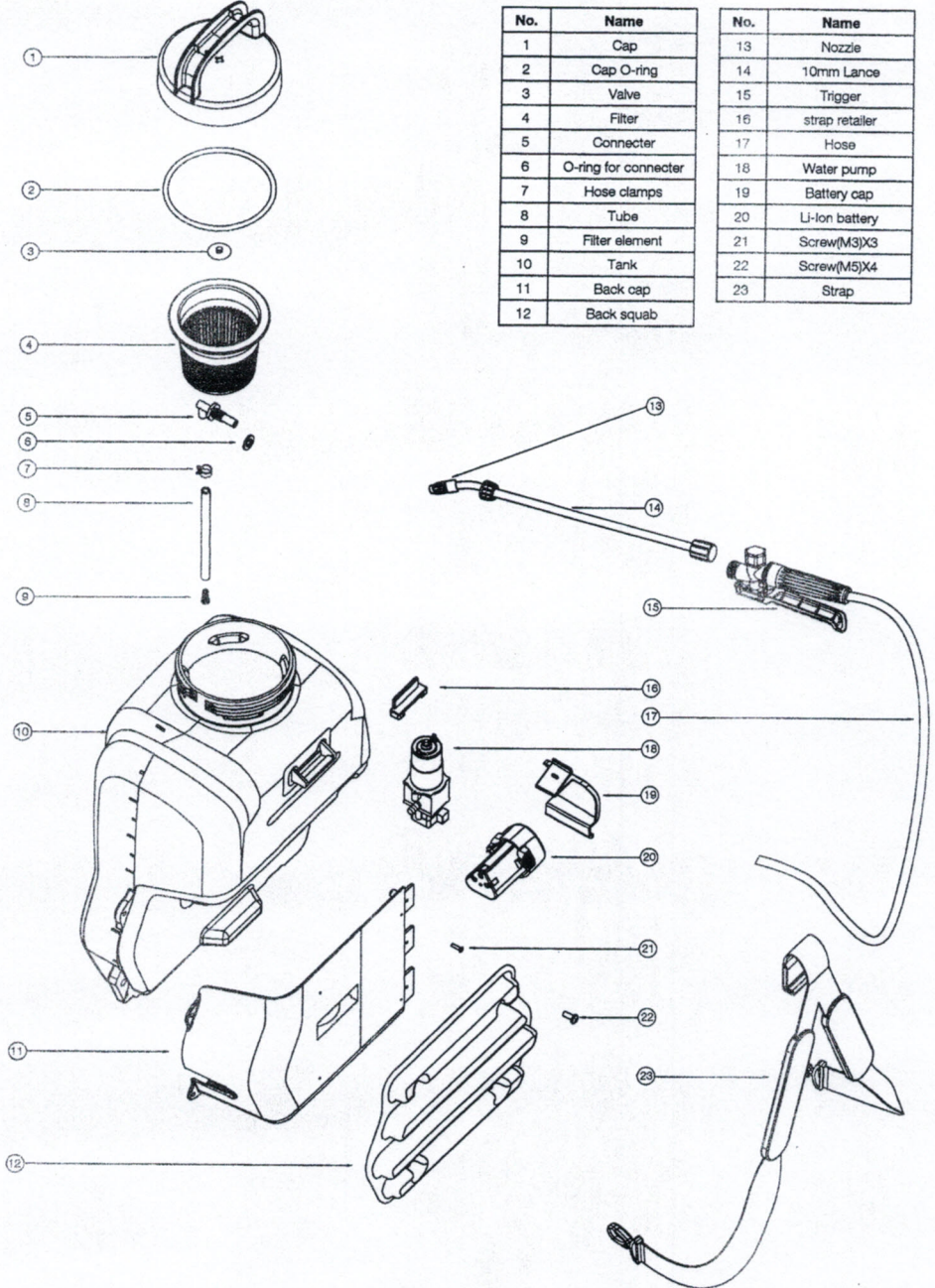


! **Warning:** For your personal safety,
READ and UNDERSTAND before using.

SAVE THESE INSTRUCTIONS FOR FUTURE REFERENCE.

Assembly:

No.	Name	No.	Name
1	Cap	13	Nozzle
2	Cap O-ring	14	10mm Lance
3	Valve	15	Trigger
4	Filter	16	strap retaller
5	Connector	17	Hose </td
6	O-ring for connector	18	Water pump
7	Hose clamps	19	Battery cap
8	Tube	20	Li-ion battery
9	Filter element	21	Screw(M3)X3
10	Tank	22	Screw(M5)X4
11	Back cap	23	Strap
12	Back squab		



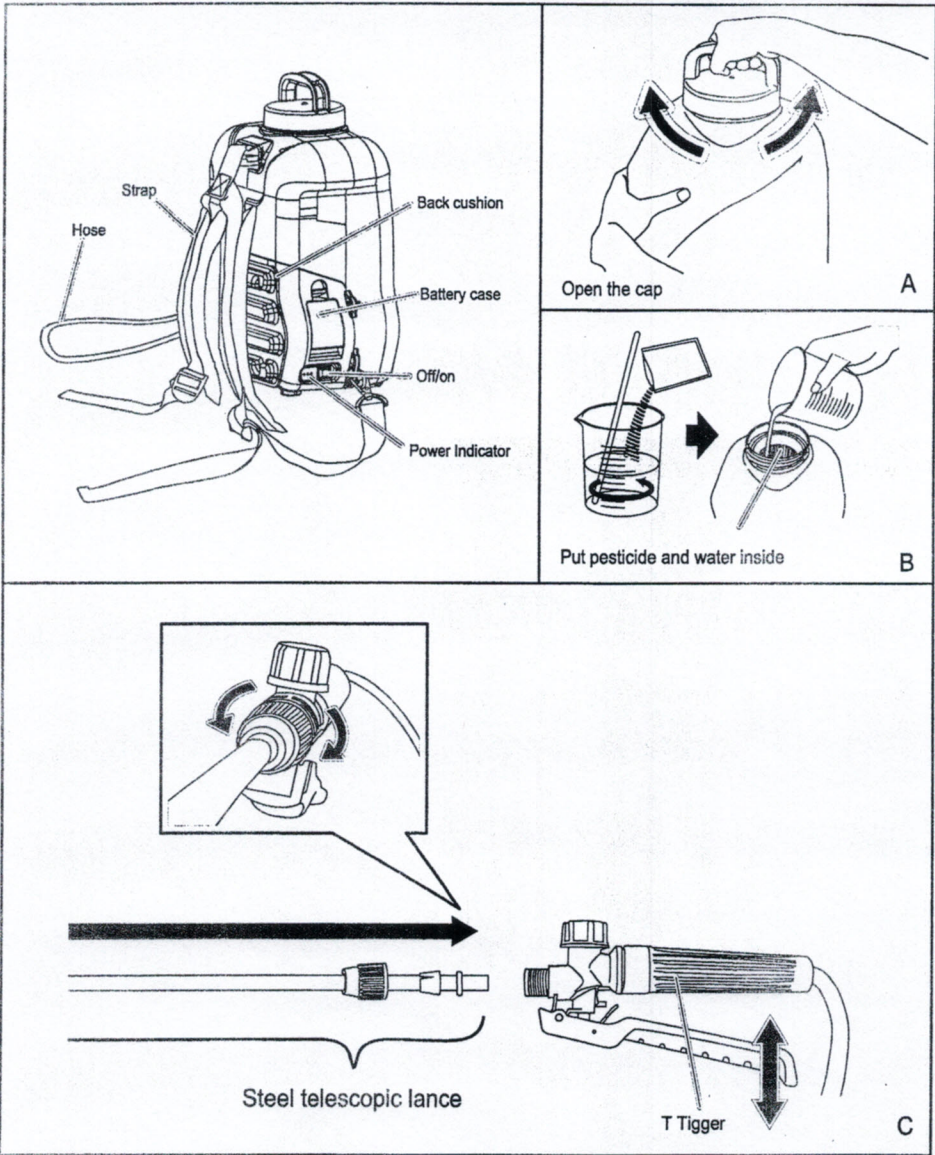
Safety instructions and cautions for lithium battery:

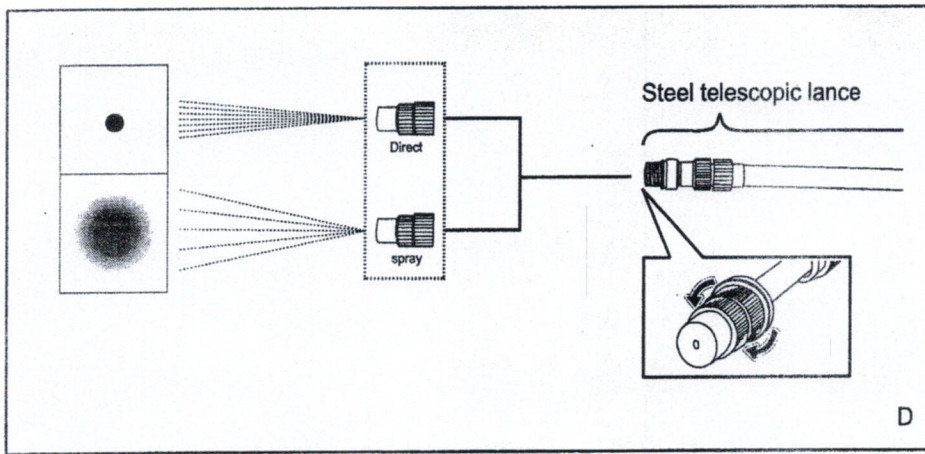
- Lithium battery needs to be charged indoors not outdoors, so as to avoid accidents.
- When the lithium battery needs charging, please take it out from the product, and plug into the charger, if the light turns red, which shows it's charging, when the light turns green, which means it's full charged.
- The charger can only be used with the suitable battery, strictly forbidden for other use, in order to avoid overcharge or shorten the service life, the battery needs to be remove from the outlet when it's full charged.
- Please use the charger in one set, because if you use other charger, the battery can not work properly, even worse, it can cause a shorter service life, fire or explosion.
- If you think the charger or lithium battery has been damaged or can not work properly, please contact the manufacturer or distributor at once, do not use the damaged ones, in order to avoid unnecessary loss.
- For completely uncharged lithium battery charging, need according to the capacity of the battery to determine the charging time, if more than expected charging time, charging indicator light is still no response, immediately unplug the power adapter.
- When charging the lithium battery, it is best not to discharge, which can avoid shorten the service life of lithium batteries.
- If long time no use Lithium-ion battery pack, will be reduced the storage batteries in the battery gradually, while reducing the amount of is very low, but the best to charge once every six months, in order to avoid the lithium battery power completely exhausted damage internal structure, affect the normal use of lithium battery.
- Store a cool and dry environment, room temperature 15 to 35 °C, environment humidity 65%

⚠ Warning:

- It is forbidden to save the battery into seawater or water, should be placed in a cool, dry environment when not in use.
- It is forbidden to put the battery near the heat source, such as fire, heater, etc.
- It is forbidden to battery positive and negative reversed use.
- It is forbidden to throw the battery in fire or heat in the container.
- It is forbidden to use metal to connected battery cathode short circuit directly.
- It is forbidden to transport or storage the battery with metal.
- It is forbidden to knock, throw or stamp on the battery.
- It is forbidden to use where strong electrostatic and strong magnetic field.

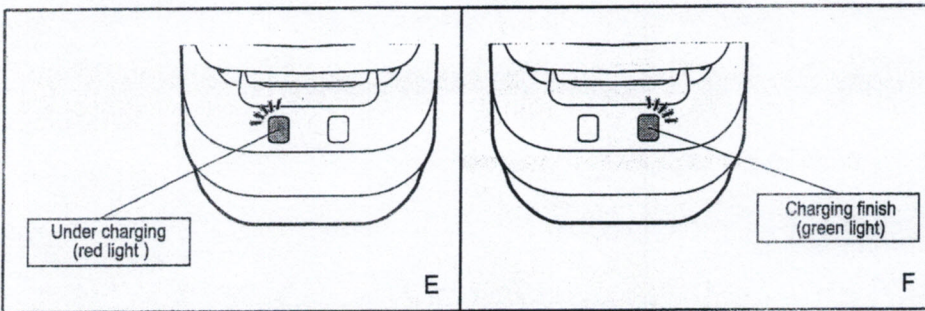
Operating instructions:





How to use charger:

1. Pull out the run out battery.
2. Put the battery into charger.
3. Connect the charger to power.
4. It is under charging when the red light (E) comes on, after around 150minuts
green light (F) on means charging finish.
5. Pull out the battery when charging finish, disconnect power.



PRODUCT INFORMATION/TECHNICAL DATA:

Item No.	DJ100	DJ160
Total capacity	10.0L	16.0L
Voltage	12V	12V
Curren flow	0.75A	0.75A
Battery capacity	2.6 Ah	2.6 Ah
Work time	210min	210min
Charging time	150min	150min
Flow	0.815 L/min	0.815 L/min
Output	241L	241L
Net weight(1 pc)	2.75 kg	3.1 kg
Packing(pcs)/carton	1	1
Packing size(cm)	35.5 x 21 x 51	35.5 x 25 x 51

SAFETY INSTRUCTIONS

CAUTION:

CONTENTS UNDER PRESSURE.READ THIS BEFORE OPERATING.

- Always wear protective clothing, gloves and mask when spraying.
- Suitable measures must be taken to keep the unit out of the reach of children.
- If spraying in light wind conditions, always spray with the wind blowing the spray away from you.
- Do not spray contents of sprayer on persons or animals.
- Ensure all parts are intact and the temperature of the liquid under 40°C. before each use.
- Chemical sprays are dangerous if swallowed or come in contact with the skin, always refer to the chemical supplier safety instructions or contact the poisons information centre or doctor immediately.
- Always release pressure before refilling, servicing or storing.
- Do not leave sprayer (filled, empty or pressurized) unattended in direct sunlight.
- Not to be used to spray solvents or flammable liquids.



WEAR
PROTECTIVE
CLOTHING



WEAR
EYE
PROTECTION



WEAR
GLOVES



WEAR
A.S APPROVED
FILTER MASK