



# GF-60

## 60" Industrial Ground Fan

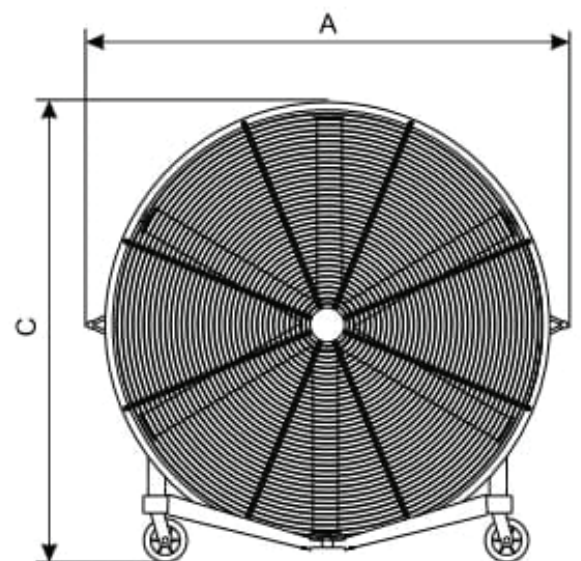
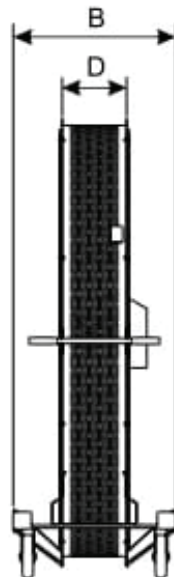
Dimension	2230 x 770 x 2130 mm
Power consumption	220V, 50Hz, 950W
Air Flow	1200m <sup>3</sup> /Min
Serving area	200/m <sup>2</sup>
Spining Speed	260
Diameter	2M
Fan blades No.	6
Noise	<60 db
Weight	137KG



**Ultra Strong Wind**

### Features:

- 10 level speed
- 4 wheels moving
- Iron net for protection



Call Now

5503 8458

[www.hkmisting.com](http://www.hkmisting.com)